

GM-41R

47" Merchandiser Refrigerator

The Glacier glass door merchandiser series of coolers is expertly crafted to beautifully showcase a diverse range of merchandise. The GM-41R cooler comes with hinged doors. Equipped with bright LED lighting and a backlit marquee, these units captivate attention in high-traffic areas. The intuitive digital temperature control LED display allows for precise temperature selection, while its heavy duty, bottom mounted compressor enhances efficiency. Organizing products of any size is effortless, using its adjustable and removable wire shelves, and drink dividers.



Features

- Tempered hinged glass doors
- Door locks
- LED lighting
- Digital temperature controls with LED display
- 10 adjustable and removable wire shelves
- Bottle rails/dividers
- 3" casters
- 2-year parts and labour warranty
- 5-year compressor warranty

Technical Specifications

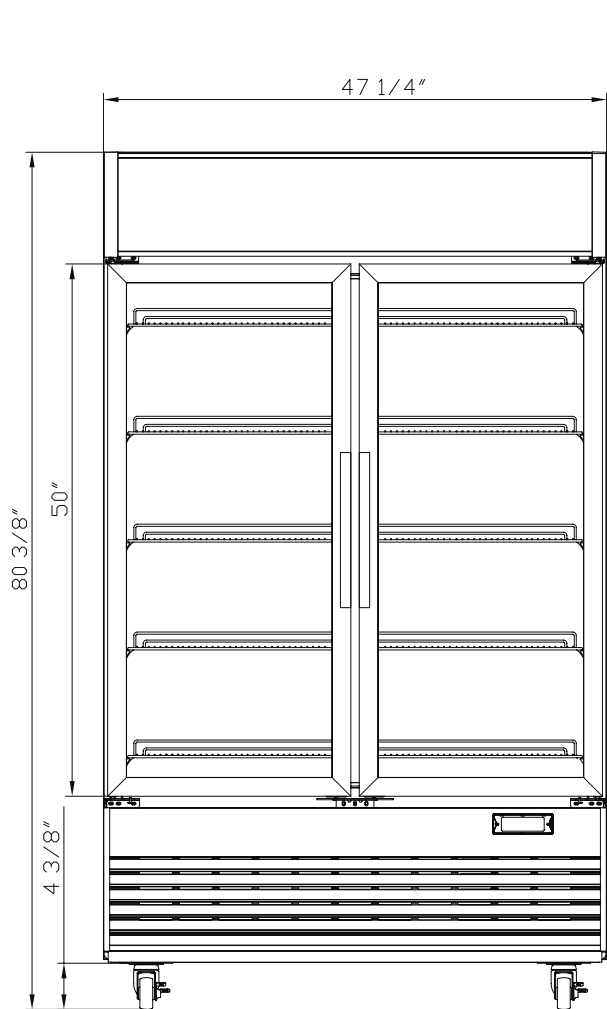
- Black exterior finish
- White interior finish
- 115 V/60 Hz
- R290 refrigerant
- Automatic defrost

Optional Features/Accessories

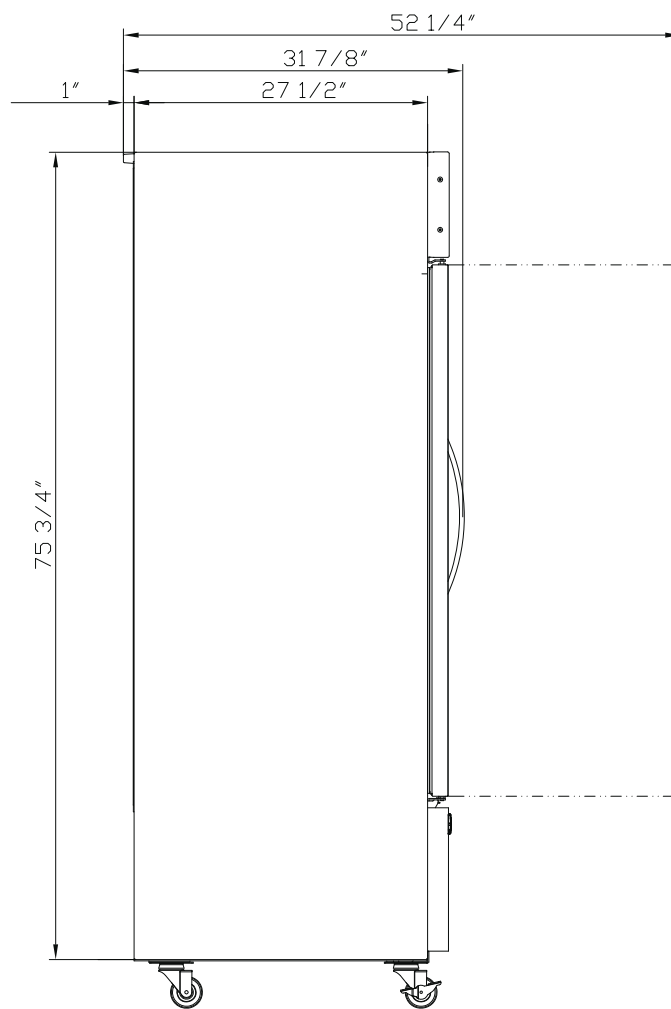
- Additional shelves available for purchase

GM-41R

47" Merchandiser Refrigerator



FRONT



LEFT

Model	External Dimensions (inches)			Crated Dimensions (inches)			Temperature Range °F	Compressor Power (HP)	Net Weight	Gross Weight	# of Shelves	NEMA Config.	Amps
	W	D	H	W	D	H							
GM-41R	47 1/4	31 7/8	80 3/8	49 1/4	32 1/2	82 3/8	33 ~ 41°F	1/2	363	435	10	5-15P	8.8

Specifications are subject to change without notice.